



## MODULAR INSULATED BUILDINGS

[www.duramaxbp.com](http://www.duramaxbp.com)



## 13' x 10' Flat Roof Insulated Cabin

The DuraMax Insulated Building is an energy efficient modular insulated building. The walls are manufactured with durable, coil coated galvanized steel that contains a fire-retardant CFC Free B2 Poly-Urethane insulation. This construction provides a strong, long lasting wall that reduces heat gain in summer or heat loss in winter.

These buildings are ideal for all weather conditions and can be used for various purposes, such as additional living space, an office, a hobby room, a secure storage space, or an equipment enclosure.

- Strong & Secure Cabin
- Metal Cladded Insulated Walls
- Will Not Rust, Rot, or Mildew
- Smooth Exterior and Interior Wall Finish
- Tall Walk-in Building (82 5/8" Tall)
- Wide 36 1/4" Door with Keyed Lock
- Corrugated Insulated Roof
- Can be Mounted Directly on a Concrete Floor
- Shelving can be Mounted Easily on All Wall Panels
- Easily Expandable on Either Left or Right Side
- Angular Roof Design with Rear Water Drainage System
- Industry's Longest 7 Year Limited Warranty

## FLAT ROOF INSULATED CABIN



Left Angle View



Front View



Right Angle View



Roof Top View



Back View



With One Right Extension Kit Added

### Flat Roof Insulated Cabin Dimensions

Model No.	Approx. Size (Ft.)	Storage	Exterior Dimension (inches)			Interior Dimensions	Door Opening	Panel Color	
			Base	Roof Edge to Edge	Wall to Wall				
30432	13' x 10'	129 Sq. Ft. 887 Cu. Ft.	Width	159 1/4"	162 1/4"	156 7/8"	36 1/4"	Off-White with Anthracite Trim	
			Depth	120 5/8"	126 5/8"	118 1/4"			
			Height		92"	82 5/8"			82 3/4"

### Flat Roof Insulated Building One Extension Dimensions (Mountable on either Left or Right Side)

Model No.	Approx. Size (Ft.)	Storage	Exterior Dimension (inches)			Interior Dimensions	Panel Color
			Base	Roof Edge to Edge	Wall to Wall		
34432	10' x 3.3'	32.29 Sq. Ft. 223.5 Cu. Ft.	Width	39 1/2"	39 1/2"	39 1/2"	Off-White with Anthracite Trim
			Depth	120 5/8"	126 5/8"	118 1/4"	
			Height		92"	82 5/8"	

### Packaging - Flat Roof Insulated Cabin

SKU#	Pack	Contents	Package	Size (Inches)	Weight (Pounds)
30432	1 of 2	Wall Panels, Door & 1 window	Wooden Frame	89" x 45" x 25"	743 lbs.
30432	2 of 2	Roof Panels, Metal Profiles, Foundation & Accessories	Wooden Frame	124" x 46" x 11.5"	628 lbs.

### Packaging - Flat Roof Insulated Cabin One Extension Kit

34432	1	Wall & Roof Panels, Metal Profiles	Wooden Frame	124" x 45" x 9"	407 lbs.
-------	---	------------------------------------	--------------	-----------------	----------

The building is packaged in a heavy duty cardboard box, on a wooden frame. The packaging includes all components, hardware and an illustrated step-by-step instruction booklet. Shipped common carrier and requires lift gate for residential delivery.

### Product Assembly

Approx. No. of Hrs	Person Needed	Product
6	2	Flat Roof Insulated Bldg
9	2	Flat Roof Insulated Bldg with one Extension Kit

Please refer to the Owner's Manual for more detail; available also at [www.duramaxbp.com](http://www.duramaxbp.com)  
Need Help? Call 800-483-4674 or Email: [support@uspolymerinc.com](mailto:support@uspolymerinc.com)

## FEATURES



Door Handle & Deadbolt Lock Included



Building Reinforced with Metal Columns and Beams.  
○ -Panel Walls are Fire-retardant CFC Free Poly-Urethane Insulation.



Galvanized Metal Foundation Kit



One Window Kit Included



Rear Roof Rain Gutter System



### CHECKLIST Prior to Building Purchase

- Check with your local city hall for building ordinances & CCR's.
- Be sure that intended placement of building is within your property lines.
- Do not construct building over utility lines (gas, electrical, water, telephone, cable, etc).
- Measure the size of the intended building site for ample space and make sure you have a level wooden or concrete foundation.







Model No. 30532

## 10' x 13' Gable Roof Insulated Building

Duramax Insulated Modular Housing introduces our next unique energy efficient building - Gable Roof Building. Our Duramax Building provides multipurpose solutions for homeowners and businesses. You can use this as a cabin, office, workshop, hobby room, or secure outside storage space or equipment enclosure.

Installation is simple and fast. All of the components used to construct the prefabricated building have been prepped at our factory. Faster installation means less disruption, less mess.

- Includes a metal foundation that allows building construction on just about any flat, level surface. Concrete is NOT required.
- Pre-painted galvanized inner and outer walls provide a stable, impenetrable wall.
- Thick fire-retardant CFC-Free B2 polyurethane insulation offers excellent thermal and acoustic performance.
- Easy-to-assemble bolted tongue and groove wall panel assembly. Provides fast assembly and disassembly. Parts are pre-cut, drilled and numbered for fast simple installation.
- Snow load of 30 lbs/sqft - one of the strongest do-it-yourself buildings.
- Secured door with a deadbolt lock can be configured on any side of the building.
- Step-by-step instructions included.
- Extension kit available in 3 ft. increments and mountable in either side.
- 7 Year Limited Warranty.

## GABLE ROOF INSULATED BUILDING



Angle View



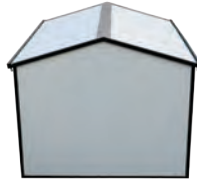
Front View



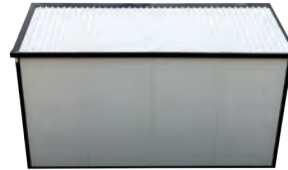
Open Door



With One Extension Kit



Side View



Back View

### Gable Roof Insulated Building Dimensions

Model No.	Approx. Size (Ft.)	Storage Area/Volume	Exterior Dimensions			Interior Dimensions	Door Opening	No. of Windows	Panel Color
			Size	Base	Roof Edge to Edge				
30532 31532	10' x 13'	128 7/8" Sq. Ft. 874 3/4" Cu. Ft.	Width	159 1/4"	162 1/8"	156 7/8"	36 3/4"	1	Off-White / Anthracite Trim
			Depth	120 5/8"	127 1/8"				
30551 31551			Height		104 1/8"	81 1/2"	77 7/8"	1	Anthracite / Off-White Trim
								2	

### Gable Roof Insulated Building One Extension Dimensions

Model No.	Approx. Size (Ft.)	Storage Area/Volume	Exterior Dimensions			Interior Dimensions	Panel Color
			Size	Base	Roof Edge to Edge		
34532	10' x 3.3'	32.29 Sq. Ft. 231.3 Cu. Ft.	Width	39 1/2"	39 1/2"	39 1/2"	Off-White/Anthracite Trim
			Depth	120 5/8"	126 5/8"		
34551			Height		92"	82 5/8"	Anthracite/Off-White Trim

### Packaging - Gable Roof Insulated Building

SKU#	Pack	Contents	Package	Size (Inches)	Weight (Pounds)
30532 30551	1 of 2	Wall Panels, Door, Metal Profiles, Foundation Kit & Accessories	Wooden Frame	102" x 45" x 25"	932.5 lbs.
31532 31551	2 of 2	Roof Panels & Windows	Wooden Frame	67" x 45" x 17"	425.5 lbs.

### Packaging - Gable Roof Insulated Building One Extension Kit

SKU#	Pack	Contents	Package	Size (Inches)	Weight (Pounds)
34532 34551	1	Extension Kit Pack 34532(Off White) 34551 (Anthracite)	Wooden Frame	85" x 45" x 10"	242 lbs.

The building is packaged in a heavy duty cardboard box on a wooden frame. The packaging includes all components, hardware and an illustrated step-by-step instruction booklet. It is shipped common carrier and requires lift gate for residential delivery.

### Product Assembly

Approx. No. of Hrs	Person Needed	Product
6	2	Gable Roof Insulated Bldg
9	2	Gable Roof Insulated Bldg with one Extension Kit

Please refer to the Owner's Manual for more detail; available also at [www.duramaxbp.com](http://www.duramaxbp.com)  
Need Help? Call 800-483-4674 or Email: [support@uspolymerinc.com](mailto:support@uspolymerinc.com)

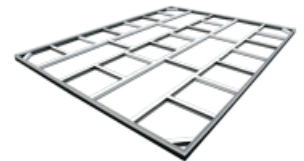
### CHECKLIST Prior to Building Purchase

- Check with your local city hall for building ordinances & CCR's.
- Be sure that intended placement of building is within your property lines.
- Do not construct building over utility lines (gas, electrical, water, telephone, cable, etc).
- Measure the size of the intended building site for ample space and make sure you have a level wooden or concrete foundation.

## FEATURES



Strong Metal Roof Truss & Columns



Galvanized Metal Foundation Kit Included



CFC Free Poly-Urethane Insulation (Fire Retardant) Panel Walls



Door Knob and Deadbolt Lock Included

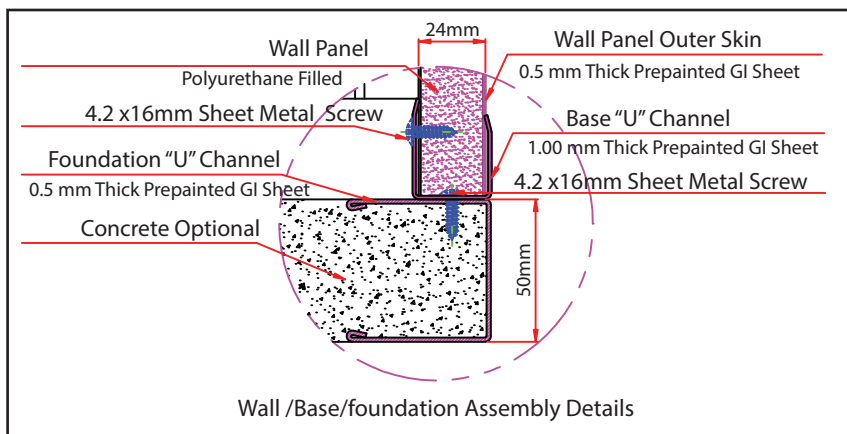
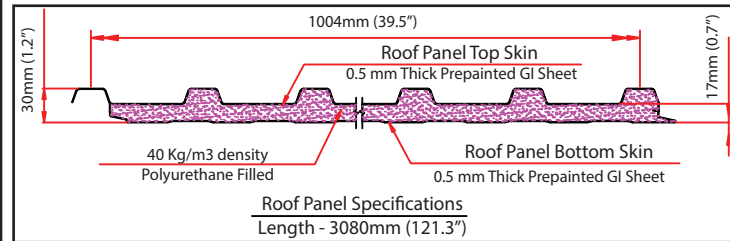
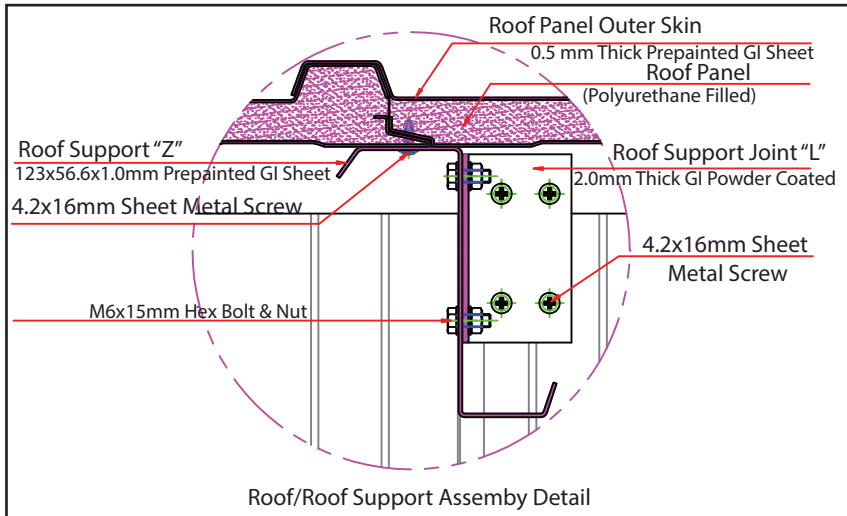
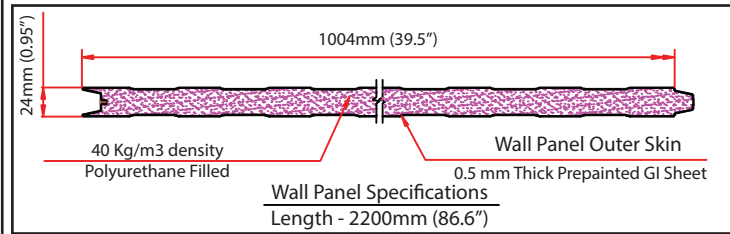
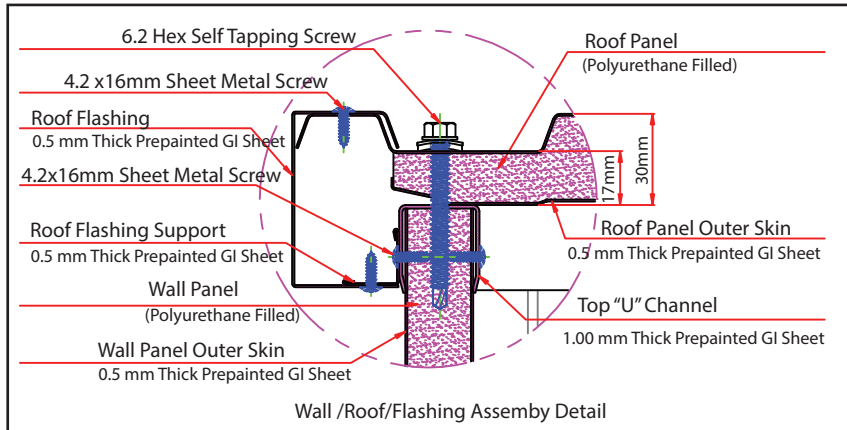


One Window Kit Included



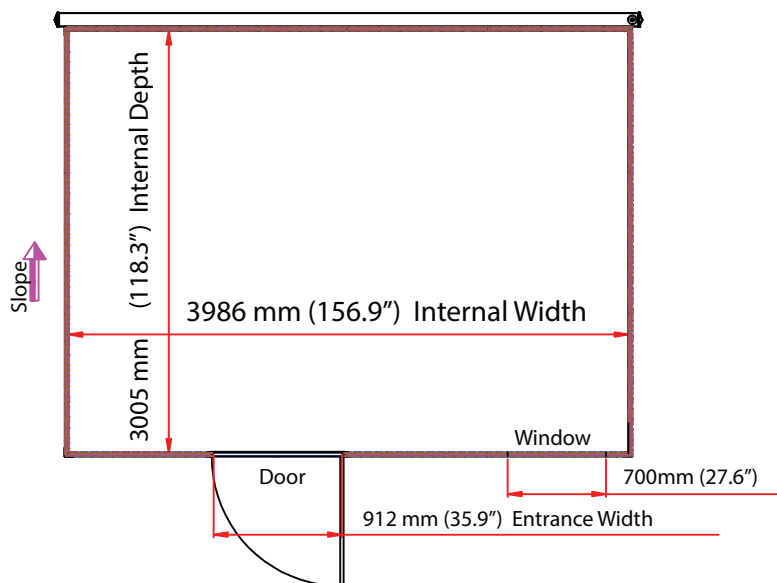
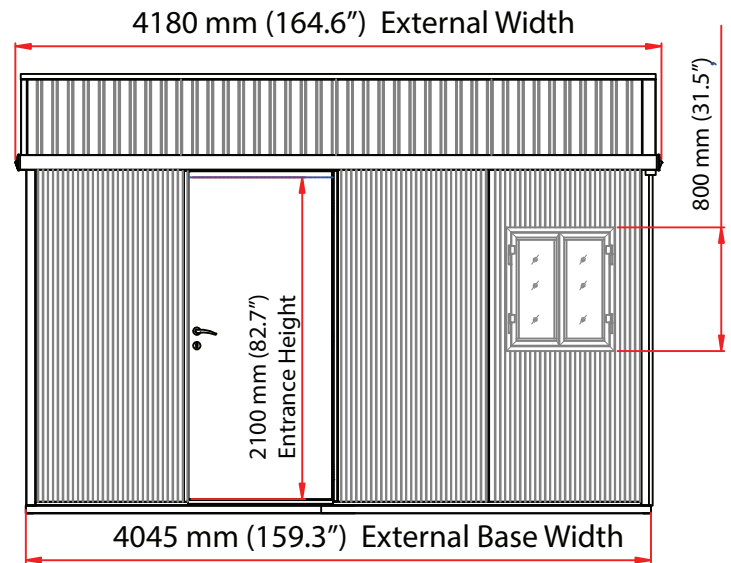
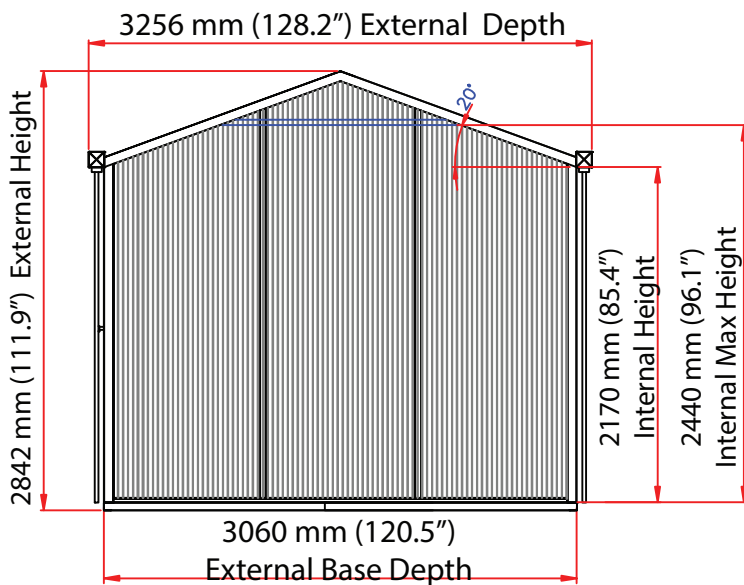
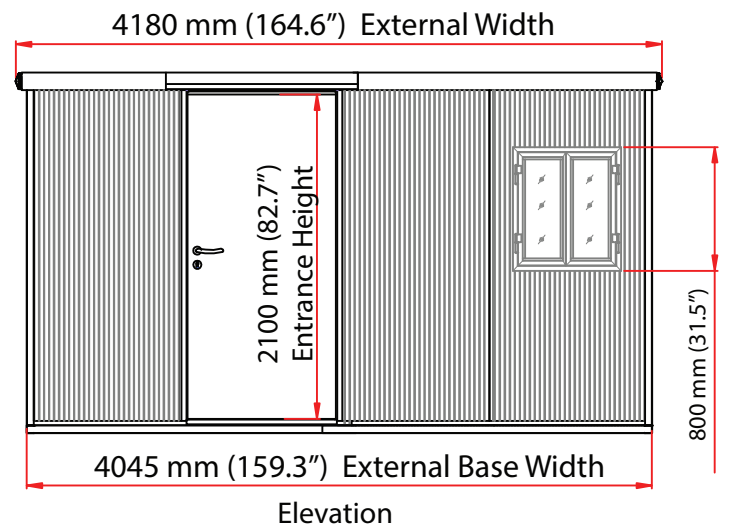
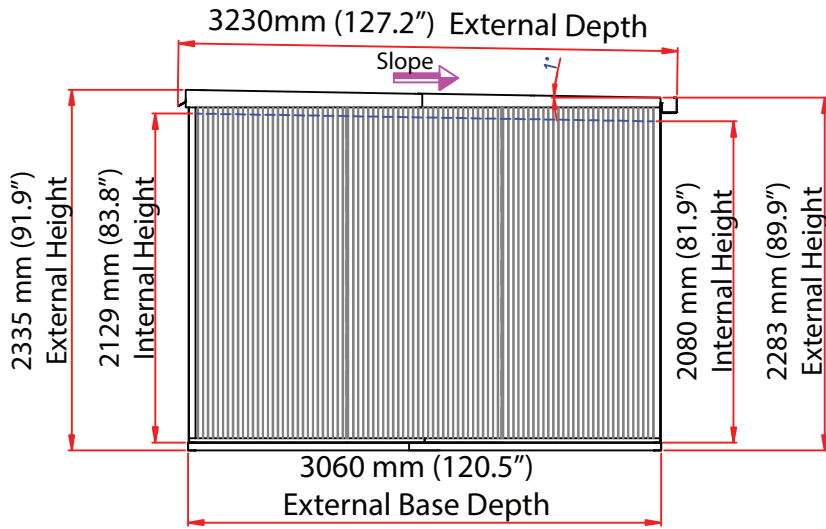
Roof Rain Gutter System Included





Wall Panel Thickness	24mm (.95) PU density 40kg/m2
Roof Panel Thickness	30mm (1.25") PU density 40kg/m2
Wall Panel Height	2,200mm (86.6")
Wall Panel Width	1004mm (39.5")
Snow Load Rating	30 lbs/sq.ft

Units of R Value	m2 K/W	h ft2/BTU	Building Sample Test	Sample 1	Sample 2	Remarks
Roof (R Value) 30 mm	1.25	7.098	Thermal Conductivity C-Value	0.02397 w/mk	0.02438 w/mk	35 C Mean Temperature
			Compressive Strength	147.25 kpa	148.91 kpa	@ 10% Relative Deformation
Wall (R Value) 24 mm	1	5.679	Density (1)	40.21 kg/m3	40.26 kg/m3	By Water Method
			Density (2)	39.08 kg/m3	38.91 kg/m3	By Water Method





## All Weather Durable Outdoor Building Products



US Polymers is a major manufacturer of an extensive line of outdoor building products.

We manufacture a wide range of building products which include Shutters, Vinyl Fencing, Vinyl & Metal sheds, Garages, Barns, Insulated Buildings, Tiny homes and much more, all at the best value in the industry



All-Weather Durable • Low Maintenance • Easy Assembly • Industries Best Warranty



DuraMAX Building Products • 1057 S Vail Ave. Montebello, CA 90640 • 800-483-1361

[www.duramaxbp.com](http://www.duramaxbp.com)